

Premier II LED

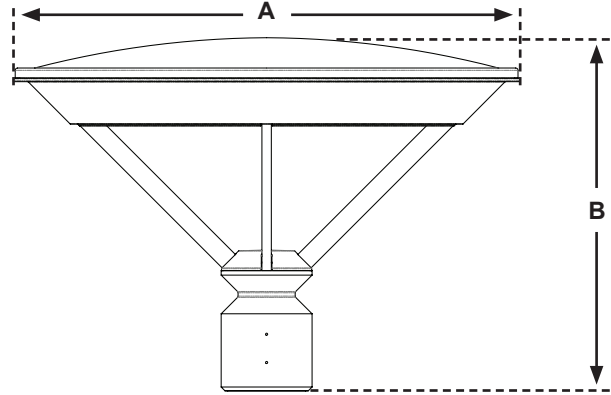
Project Name:

Catalog Number:

Type



Dimensional Drawings



Fixture	A	B	Max. LEDs	Lbs
PRE-2-L	27"	19"	96	56

Contemporary design meets the new generation of LED green technology in this stunning luminaire, the **Premier II**.

The **Premier II** fixture is built with a cast aluminum housing, extruded aluminum arms and a spun aluminum, removable top.

The **Premier II** series provides up to fifty percent energy savings over traditional HID light sources; and offers excellent beam control and LED life beyond 100,000 hours for 350 milliamp systems. The **Premier II** is offered in six optical distributions.

The popular **Premier II** is the perfect compliment to any university campus, business park, or walkway project where contemporary, architectural design is desired.

The **Premier II**'s fully-sealed housing features an exceptionally well-designed thermal management system that provides superior heat dissipation.

Model	Optics	Source	Milliamps	Kelvin	Voltage	Mounting	Finish	Options
PRE-2-L	Type I (T1)	# of LEDs	mA	4000K *Neutral white (4K)	120-277 *Universal voltage (UNV)	Post Top *Slips over 4" ØD tenon x 4" tall (PT)	Bronze (BZ)	<u>Button Type Photocell</u> *Specify voltage (PC120) (PC208) (PC240) (PC277) 0-10v Dimming Driver No Controls (DIM) Motion Sensor/Control Watt Stopper FSP-211 22' Distance @ 8' CLG HT Must specify Dimming Driver. (WSC) Motion Sensor 20' Distance @ 8' CLG HT Must specify Dimming Driver. Can use with Wireless Control (MS) Wireless Control (WC) Consult Factory
		32 (32LC)	350 (3)	5000K *Cool white (5K)	480 (5)		Smooth Black (SBK)	
	Type II (T2)	48 (48LC)	530 (5)		347 (8)		Smooth White (SWH)	
	Type III (T3)	64 (64LC)					Forest Green (FG)	
	Type IV (T4)	80 (80LC)					Silver Metallic (SL)	
	Type V (T5)	96 (96LC)					Graphite (GP)	
	Type V-W (T5W)						Weathered Brown (WB)	
					Soft Gold (SG)			
					Custom Color (CC)			

For more detailed information on mounting, wiring or installation instructions, please consult factory. If poles are not ordered with fixtures, please specify mounting requirements. This document contains proprietary information of Visionaire Lighting, LLC. Any use of this information requires the written approval of Visionaire Lighting, LLC. In keeping with our TQM policy of continuous improvement, Visionaire reserves the right to change any specifications contained herein without prior notice.

Housing

- The **Premier II**'s housing is constructed from durable, corrosion-resistant, cast aluminum.
- The spun aluminum top cap is .080 gauge, and easily removable for service.
- Silicone gasketing is provided for complete weather and insect protection.

Thermal Management

- The **Premier II** provides excellent overall thermal management by maximizing the efficiency of the heat sink in the fixture. This enables the **Premier II** to withstand higher ambient temperatures and higher drive currents without degrading LED life.

Optical System

- The highest lumen output **Evo/C LEDr** are utilized. High-performance acrylic optics feature industry leading Type I, II, III, IV, V and V-W optical distributions. Non-fading acrylic optics are impact-resistant and rated to 94 percent translucence.
- L₇₀ life of our LEDs is rated over 150,000 hours (for 350 mA), based on second party, usable life calculations.
- The optical system qualifies as IES full cutoff to restrict light trespass, glare and light pollution for neighborhood-friendly lighting.
- CRI values are 70 for 4000K and 75 for 5000K.

Quali-Guard® Finish

- Fixture components are chemically pretreated through a multiple-stage washer, and finished with an electrostatically-applied, thermoset polyester powder coat textured paint with a 3 to 5 mils thickness. Finish is oven-baked at 400 °F for maximum adherence and finish hardness.
- Available in standard and custom colors.
- Finish is guaranteed for five (5) years.

Post Top Mount

- The **Premier II**'s contractor-friendly mounting hardware slips over 4" O.D. x 4" tall tenon utilizing stainless steel hardware.
- Round Internal Tenon Adaptors (RITA) are recommended for a smooth-looking connection. Standard for 4" and 5" poles, custom size required for 3" poles.

Electrical Assembly

- The **Premier II** is supplied with a high-performance driver available in 350 and 530 mA. The driver is integrally-located in the housing, and is operational from 120 V through 480 V, 50 Hz to 60 Hz input. Power factor is 90%. • Rated for -40° F operation.
- 10 kV surge protector supplied as standard.

Warranty

- Five (5) year Limited Warranty on entire system, including finish. For full warranty information, please visit VisionaireLighting.com.

Options

- Button type photocell
 - 0-10v Dimming Driver
 - WattStopper FSP-211
 - Motion Sensor
 - Wireless Control
- Please consult factory for detailed custom options.

Listings

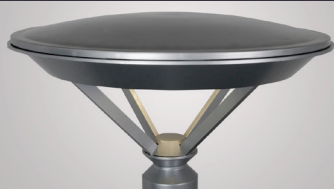
- **Premier II** is ETL listed, suitable for wet locations.
- DLC Listed (120v only)
- IP65 Rated.
- LM79 and LM80.
- Powder Coated Tough™ .



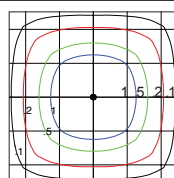
DesignLights Consortium (DLC) qualified Product. Some configurations of this product family may not DesignLights Consortium (DLC) listed, please refer to the DLC qualified products list to confirm listed configurations. <http://www.designlights.org/>

DesignLights Consortium (DLC) qualified Product. Some configurations of this product family may not DesignLights Consortium (DLC) listed, please refer to the DLC qualified products list to confirm listed configurations. <http://www.designlights.org/>

Alternate View



Isolux Curve



PREMIER II-1
TYPE V
LED OPTICS
48 LEDs @ 530 mA
Scale: 1 Square = 18 ft
Initial Light Loss Factor = 1.00
Mounting Height = 18 ft
Arrangement: Single

EPA Data

Fixture Only

PRE-2-L



1.2

LED 5500K*LUMEN DATA CHART FOR

# LED's	Output mA	Type 1	Type 2	Type 3	Type 4	Type 5	Type5-W	System Watts	L70 Hours
32	350	3141	2734	3438	2964	3787	3943	38	150,000
	530	4580	3206	4389	4249	5050	5127	51	100,000
48	350	4642	3877	4937	4574	5323	5519	56	150,000
	530	6785	4853	6584	6358	7541	7237	75	100,000
64	350	6120	5084	6458	6107	6960	7022	72	150,000
	530	9011	5611	8779	8469	10166	9352	102	100,000
80	350	7680	5714	8006	7656	8536	8637	89	150,000
	530	11270	6952	10980	10579	12645	11462	127	100,000
96	350	9176	7326	9572	9246	10079	10126	103	150,000
	530	13524	8130	13181	12688	15174	14572	144	100,000

Visit www.VisionaireLighting.com for up-to-the-minute chart information, including types not listed here.

*For 4000k multiply values by 0.90