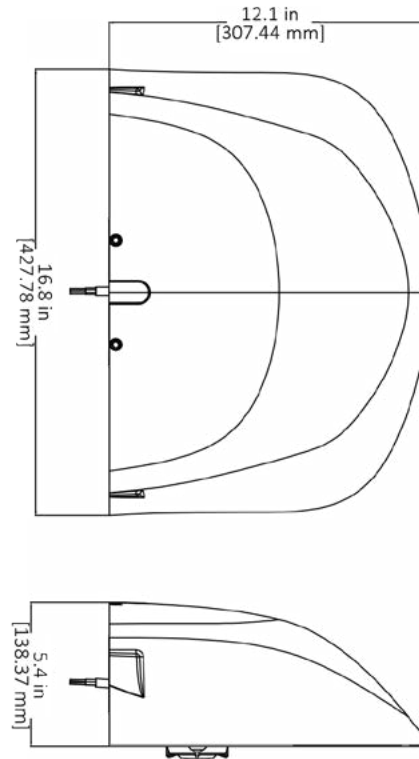


Eseta™ LED Wall Sconce ES

Luminaire Data

Weight 9.9 lbs [4.5 kg]
14.6 lbs [6.5kg] with EM, MS options as shown



Ordering Information

Sample Catalog No. ES1 24H MV NW W BK 350 EM

Product	No. & Type of LEDs	Voltage	Color Temperature ¹	Distribution	Finish	Drive Current ²	Options
ES1	24H	MV 120-277V	NW 4000K	W Wide	BK Black	530 530mA	PC Photo Control
	48H	HV 347-480V	CW 5000K	FT Forward Throw	DB Dark Bronze GY Gray WH White	700 700mA	MSL2 ³ Motion Sensor with Photo Control, L2 Lens MSL3 ³ Motion Sensor with Photo Control, L3 Lens EM ⁴ Emergency Battery System FSIR100 Motion Sensor Configuration Tool

- Notes:
- 1 Consult factory for other CCT options.
 - 2 Factory set drive current, non-field adjustable. 700mA is not available for 48H version. Refer to performance data on page 2.
 - 3 Motion Sensor available with MV only. Motion Sensor default setting dims luminaire to 50% when no motion is detected for 5 minutes. Field adjustable settings available using FSIR100 option. Luminaire warranty is limited to 5 years with a Motion Sensor.
 - 4 Emergency Battery System available with MV only. Luminaire warranty is limited to 3 years with Emergency Battery System.

Eseta™ LED Wall Sconce

ES

Luminaire Specifications

Housing

Die cast aluminum housing with back mounting plate and outdoor rated cable. Back mounting plate includes novel hanging features to allow one-person installation. Knockouts on the top and bottom of the housing allow conduit entry. Electrical components are accessed behind gasketed optical cover.

Light Emitting Diodes

Hi-flux/Hi-power white LEDs are tested in accordance with IES LM-80 testing procedures. Neutral White (4000K) and Cool White (5000K) with minimum 70 CRI are standard. LEDs are 100% mercury and lead free.

Optical Systems

The OMNILENS™ system creates a low-brightness source to reduce glare with precise Wide or Forward Throw distributions. Lens cover is UV stabilized, impact-resistant polycarbonate. Luminaire produces 0% total lumens above 90° (BUG Rating, U=0).

Electrical

Power supply features a minimum power factor of .90 and <20% Total Harmonic Distortion (THD). EMC meets or exceeds FCC CFR Part 15. Transient voltage complies with ANSI C62.41 Cat. A. Integral surge protector is tested per ANSI/IEEE C62.45 procedures based on ANSI/IEEE C62.41.2 definitions for standard and optional waveforms for Location Category C High.

Finish

Housing receives a fade and abrasion resistant, epoxy polyester powder coat.

Listings/Ratings/Labels

Luminaires are UL listed for use in wet locations in the United States and Canada. Optical systems maintain an IP66 rating. Design Lights Consortium qualified product. Assembled in the United States.

Photometry

Luminaires are photometrically tested by certified independent testing laboratories in accordance with IES LM-79 testing procedures.

Warranty

10-year limited warranty is standard on luminaire and components. 5-year limited warranty on luminaires with a motion sensor or photo control option. 3-year limited warranty on luminaires with an emergency system option.

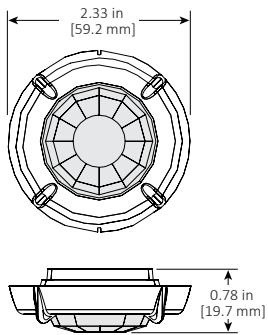
Performance Data

All data nominal, consult factory for IES files or LM-79 reports.

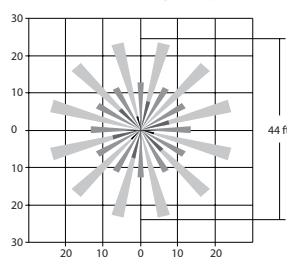
No. of LEDs & Type	Drive Current (mA)	System Wattage (W)	Delivered Lumens (Lm)	Efficacy (Lm/W)
24H	530	44	4540	104
	700	59	5770	98
48H	530	83	8515	102

Eseta™ LED Wall Sconce ES

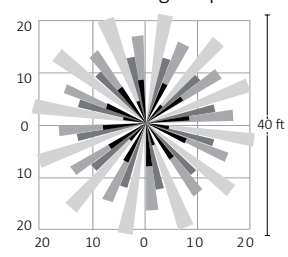
Motion Sensor (Optional) Data



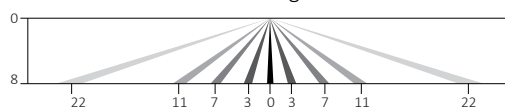
L2 Lens Coverage Top View



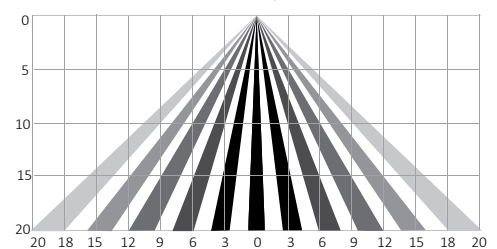
L3 Lens Coverage Top View



L2 Lens Coverage Side View



L3 Lens Coverage Side View



Motion Sensor (Optional) Specifications

Description

Digital passive infrared luminaire integrated outdoor occupancy sensor provides high/low/off control based on motion. Initial setup and subsequent sensor adjustments are made using a handheld configuration tool.

Operation

Standard factory setting will dim the luminaire to 50% until motion is sensed and then it will power to 100%. When motion is not detected for five minutes, the luminaire will dim back to 50%. Ramp up and fade down times are adjustable, but initially set to NONE. The

percent dimming and time durations may be field adjusted as required using FSIR100 option. FSIR user guide available at: www.wattstopper.com.

Optical System

Multi-cell, multi-tier Fresnel lens with a 360 degree view detects unobstructed motion. L2 lens is designed for a mounting height up to 8 feet and detects motion up to 3 times mounting height. L3 lens is designed for a mounting height up to 20 feet and detects motion within one mounting height.

Finish

Sensor exterior ring and lens are white polycarbonate, UV and impact resistant.

Listings/Ratings

Sensor is TUV, UL and cUL listed, IP66 rated and CE compliant.

Warranty

5-year limited warranty on luminaires and components with a motion sensor.

Emergency (Optional) Specifications

Description

Emergency option provides a nominal 1500 lumens for a minimum of 90 minutes. Test switch and charging indicator light are visible and accessible on the optical cover.

Temperature Rating

Ambient operating temperature is -4F to 140F (-20C to +60C).

Listings/Ratings/Labels

Emergency LED driver and batteries are UL recognized and CSA certified. Emergency illumination time exceeds the National Electrical Code (NEC), Life Safety Code (NFPA-LSC), National Building Code of Canada (NBC), National Fire Code of Canada (NFC) and UL 90-minute requirements.

Warranty

3-year limited warranty on luminaires and components with an emergency system.